

High Speed IGBT

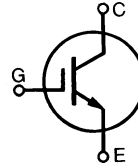
IXSH 40N60B
IXST 40N60B

V_{CES} = 600V
I_{C25} = 75A
V_{CE(sat)} = 2.2V

t_{fi typ} = 100 ns

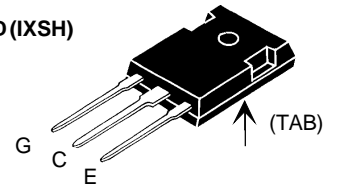
Short Circuit SOA Capability

Preliminary data

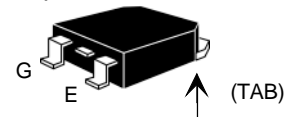


Symbol	Test Conditions	Maximum Ratings	
V _{CES}	T _J = 25°C to 150°C	600	V
V _{CGR}	T _J = 25°C to 150°C; R _{GE} = 1 MΩ	600	V
V _{GES}	Continuous	±20	V
V _{GEM}	Transient	±30	V
I _{C25}	T _C = 25°C	75	A
I _{C90}	T _C = 90°C	40	A
I _{CM}	T _C = 25°C, 1 ms	150	A
SSOA (RBSOA)	V _{GE} = 15 V, T _J = 125°C, R _G = 2.7 Ω Clamped inductive load, V _{CC} = 0.8 V _{CES}	I _{CM} = 80 @ 0.8 V _{CES}	A
t_{SC} (SCSOA)	V _{GE} = 15 V, V _{CE} = 360 V, T _J = 125°C R _G = 22 Ω, non repetitive	10	μs
P _C	T _C = 25°C	280	W
T _J		-55 ... +150	°C
T _{JM}		150	°C
T _{stg}		-55 ... +150	°C
M _d	Mounting torque	1.13/10	Nm/lb.in.
Weight		6	g
Maximum lead temperature for soldering 1.6 mm (0.062 in.) from case for 10 s		300	°C

TO-247 AD (IXSH)



TO-268 (D3) (IXST)



G = Gate
E = Emitter

TAB = Collector

Features

- International standard packages
- Guaranteed Short Circuit SOA capability
- Low V_{CE(sat)}
- for low on-state conduction losses
- High current handling capability
- MOS Gate turn-on
- drive simplicity
- Fast Fall Time for switching speeds up to 50 kHz

Applications

- AC and DC motor speed control
- Uninterruptible power supplies (UPS)
- Welding

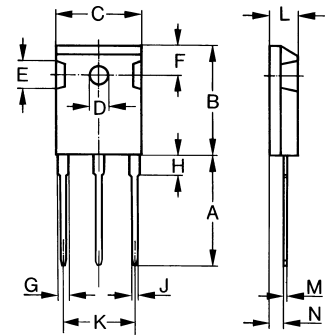
Advantages

- Easy to mount with 1 screw (TO-247) (isolated mounting screw hole)
- High power density

Symbol	Test Conditions	Characteristic Values (T _J = 25°C, unless otherwise specified)		
		min.	typ.	max.
BV _{CES}	I _C = 250 μA, V _{GE} = 0 V	600		V
V _{GE(th)}	I _C = 4 mA, V _{CE} = V _{GE}	4		V
I _{CES}	V _{CE} = 0.8 • V _{CES} V _{GE} = 0 V			T _J = 25°C 25 μA T _J = 125°C 1 mA
I _{GES}	V _{CE} = 0 V, V _{GE} = ±20 V			±100 nA
V _{CE(sat)}	I _C = I _{C90} , V _{GE} = 15 V			2.2 V

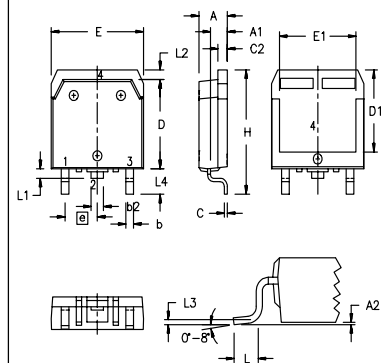
Symbol	Test Conditions	Characteristic Values ($T_J = 25^\circ\text{C}$, unless otherwise specified)			
		min.	typ.	max.	
g_{fs}	$I_C = I_{C90}$; $V_{CE} = 10\text{ V}$, Pulse test, $t \leq 300\ \mu\text{s}$, duty cycle $\leq 2\%$	16	23	S	
C_{ies}	$V_{CE} = 25\text{ V}$, $V_{GE} = 0\text{ V}$, $f = 1\text{ MHz}$		3700	pF	
C_{oes}			280	pF	
C_{res}			80	pF	
Q_g	$I_C = I_{C90}$, $V_{GE} = 15\text{ V}$, $V_{CE} = 0.5 V_{CES}$		190	nC	
Q_{ge}			45	nC	
Q_{gc}			90	nC	
$t_{d(on)}$	Inductive load, $T_J = 25^\circ\text{C}$ $I_C = I_{C90}$, $V_{GE} = 15\text{ V}$, $L = 100\ \mu\text{H}$ $V_{CE} = 0.8 V_{CES}$, $R_G = 2.7\ \Omega$		50	ns	
t_{ri}			50	ns	
$t_{d(off)}$			110	200	ns
t_{fi}			120	200	ns
E_{off}			1.8	2.6	mJ
$t_{d(on)}$	Inductive load, $T_J = 125^\circ\text{C}$ $I_C = I_{C90}$, $V_{GE} = 15\text{ V}$, $V_{CE} = 0.8 V_{CES}$, $R_G = 2.7\ \Omega$		55	ns	
t_{ri}			170	ns	
E_{on}			1.7	mJ	
$t_{d(off)}$			190	ns	
t_{fi}			180	ns	
E_{off}		2.0	mJ		
R_{thJC}	(IXSH40N60B)			0.45 K/W	
R_{thCK}			0.25	K/W	

TO-247 AD (IXSH) Outline



Dim.	Millimeter		Inches	
	Min.	Max.	Min.	Max.
A	19.81	20.32	0.780	0.800
B	20.80	21.46	0.819	0.845
C	15.75	16.26	0.610	0.640
D	3.55	3.65	0.140	0.144
E	4.32	5.49	0.170	0.216
F	5.4	6.2	0.212	0.244
G	1.65	2.13	0.065	0.084
H	-	4.5	-	0.177
J	1.0	1.4	0.040	0.055
K	10.8	11.0	0.426	0.433
L	4.7	5.3	0.185	0.209
M	0.4	0.8	0.016	0.031
N	1.5	2.49	0.087	0.102

TO-268AA (D³ PAK)



Dim.	Millimeter		Inches	
	Min.	Max.	Min.	Max.
A	4.9	5.1	.193	.201
A ₁	2.7	2.9	.106	.114
A ₂	.02	.25	.001	.010
b	1.15	1.45	.045	.057
b ₂	1.9	2.1	.75	.83
C	.4	.65	.016	.026
D	13.80	14.00	.543	.551
E	15.85	16.05	.624	.632
E ₁	13.3	13.6	.524	.535
e	5.45 BSC		.215 BSC	
H	18.70	19.10	.736	.752
L	2.40	2.70	.094	.106
L ₁	1.20	1.40	.047	.055
L ₂	1.00	1.15	.039	.045
L ₃	0.25 BSC		.010 BSC	
L ₄	3.80	4.10	.150	.161

Min. Recommended Footprint

